



Features:

- Configurable acceleration amplitude
- +/- 2g, 4g, 8g or 16g
- 6.4 KHz sampling frequency
- 3 axis measurement
- RMS & Peak acceleration or velocity
- Temperature

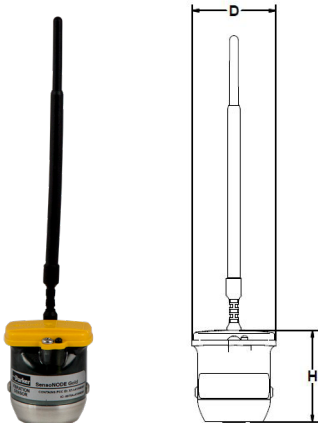
Sensor Technical Data	
Housing Material	Polycarbonate
Base Material	Aluminum
Mounting Options	Magnet, 1/4-28 stud, Epoxy
Certifications	FCC, IC, CE
Battery (Panasonic is recommended brand)	CR123A
IP Rating	IP65

Acceleration Technical Data	
Acceleration Range	+/-2,+/-4, +/-8, +/-16 g absolute [configurable]
Frequency Range	1 Hz to 3200hz
Sampling Frequency	6.4 KHz
Measurement Output	Peak & RMS acceleration over frequency range; Temperature
Measurement Axes	X,Y, Z
Resolution (Peak)	+/- 2 g range = 1 mg, +/-4 g range = 2mg, +/-8 g range = 4mg, +/-16 g range = 8mg
Temperature Sensor	-40 to +85 C
Samples Per Acquisition	800 samples
Filter Specs	DC offset removal

Velocity Technical Data	
Velocity Range	0 - 327 mm/sec
Frequency Range	7.5 Hz to 3200 Hz
Sampling Frequency	6.4 KHz
Measurement Output	Peak & RMS velocity over frequency range; Temperature
Measurement Axes	X, Y, Z
Resolution	0.01 mm/sec
Temperature Sensor	-40 to +85 C
Samples Per Acquisition	2200 samples
Filter Specs	7th order butterworth digital high pass filter, 60 dB down at 3 Hz, 3 db down at 7.5 Hz.

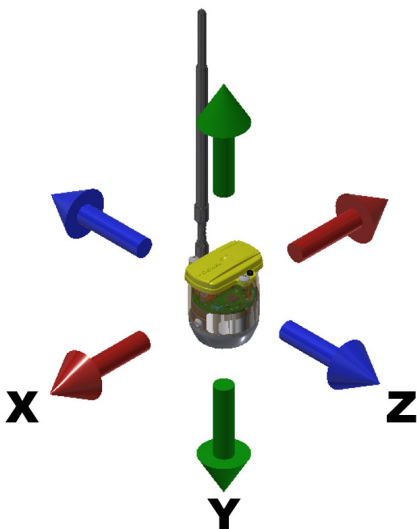


Transmitter

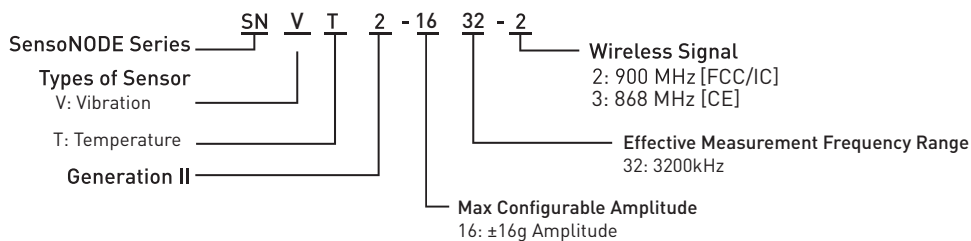


Part Number	Base Mounting Thread	D	H
SNVT2-1632-2	1/4-28 UNF	1.88" [48mm]	2.05" [52mm]

Measurement Axes



How to Order:



WARNING

The products listed can expose you to chemicals including Lead, which is known to the State of California to cause cancer, and to cause birth defects or other reproductive harm. For more information go to www.P65Warnings.ca.gov

